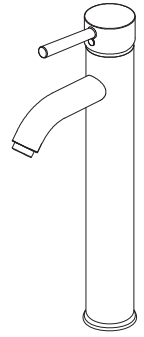


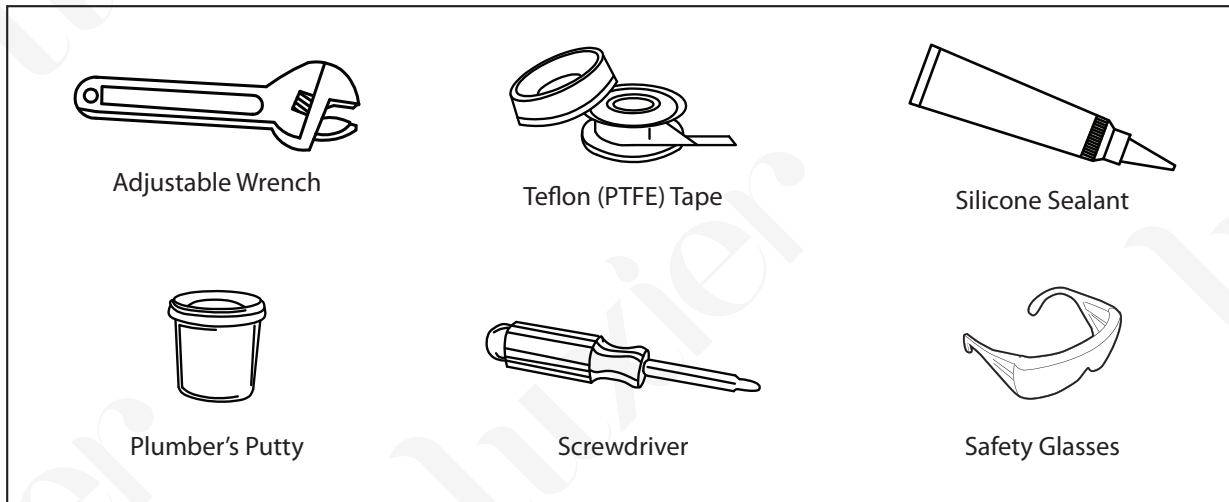
luxier

Thank you for choosing our product for your home. Your new faucet will give you years of trouble free performance. Please read all of these instructions carefully before installing your new faucet.

Model Number:
BSH01-TB
BSH01-TC
BSH01-TO



Useful Tools - For your safety and ease of installation, we recommend using the following tools



IMPORTANT POINTS

Wrap all threaded connections, except the aerator in the spout, with Teflon tape. Always wrap in a counter-clockwise direction. When installing your new faucet, first hand tighten the connection nuts then use a wrench to give the compression nut an additional (1/4) turn. Please do not over tighten the connection as it will reduce the integrity of the sealed connection.

Limited Lifetime Warranty

The manufacturer warrants this product to be leak and drip free during daily normal household use for as long as it is owned by the original purchaser of this product. Please keep a copy of the original invoice as proof of purchase. Should a malfunction occur within the warranty period, Luxier USA will, as its option, (1) repair or replace the defective part(s) or product at no charge; (2) issue a refund of the purchase price paid for the product (Valid within 30 days from the date of purchase); or (3) issue a credit to be applied against the purchase of a new Luxier product. Shipping/delivery charges may apply and are in Luxier USA's sole discretion.

This warranty shall not apply to goods which have been subject to accident, negligence, improper installation, product abuse, product misuse, or use of cleaners containing abrasives, alcohol or other organic solvents, whether performed by a contractor, service company, or yourself, are excluded from this warranty.

Our responsibility under this warranty is limited to only to replacement parts and no other costs. Luxier USA will not be responsible for labor charges and/or damage incurred by installation, repair or replacement, nor for any indirect incidental or consequential damages, losses, injury or costs of any nature relating to this faucet. Except as provided by law, this warranty is in lieu of and excludes all other warranties, conditions, and guarantees, whether expressed or implied, statutory or otherwise, including without restriction those merchantability of fitness for use.

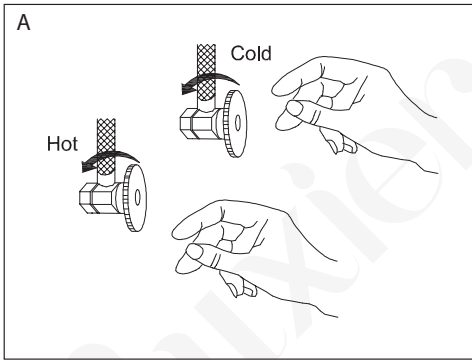
This warranty covers the original consumer purchase only and does not include business, commercial or industrial use of this product. To obtain service under the Limited Warranty, please contact the Luxier USA by www.luxierusa.com. The Luxier USA Customer Care Department will decide whether to repair or replace your product, issue a refund, or issue a credit.

Maintenance Guide

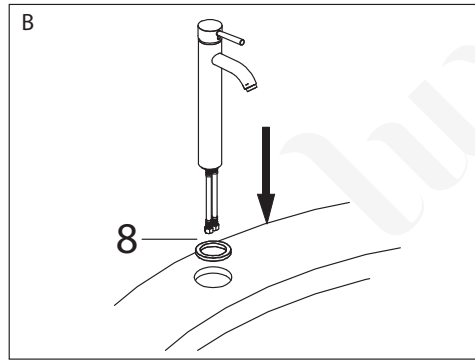
Please follow the cleaning material manufacturer's instructions. Damage caused by improper treatment will not be covered by product warranty. In addition, pay attention to the following points:

1. Regular cleaning can prevent mineral build up on faucet spout.
2. Carefully read the cleaner product label to ensure the cleaner is safe for use on the material.
3. Test the cleaner on a small area before using on the entire surface.
4. Use a mild detergent such as liquid dishwashing soap and warm water for cleaning.
5. Do not use abrasive / harsh chemical when cleaning the fixture as they will damage and dull the finish.
6. When using spray cleaners, spray first onto a soft cloth or sponge. Never spray directly onto the faucet as droplets can enter openings and gaps and cause damage.
7. After cleaning, rinse thoroughly with clean water to remove any cleaner residue.

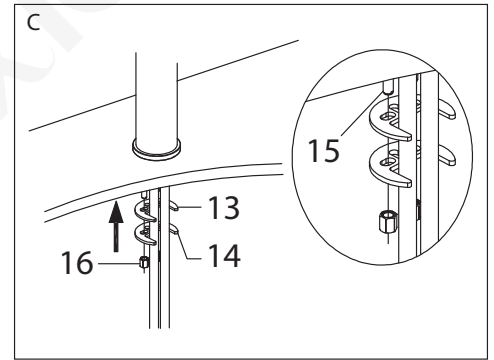
Installation



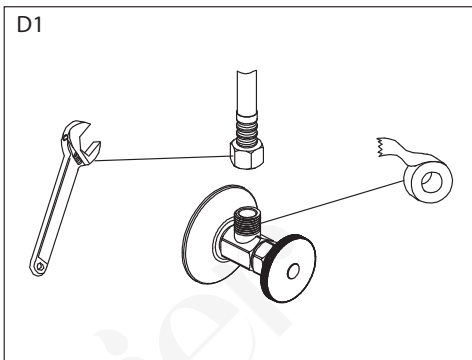
A. Shut off water supply at the valves. Remove old faucet and clean the mounting surface for installation of new faucet.



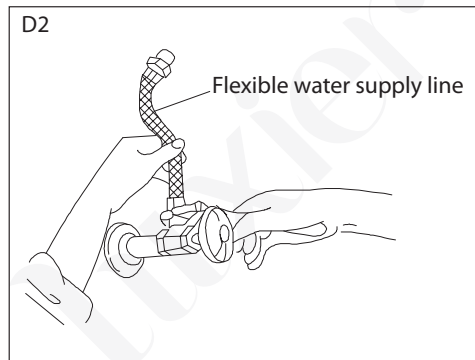
B. Place the new faucet through flange (8) on the mounting surface. The faucet hole should be 1 3/8" in diameter on the mounting surface.



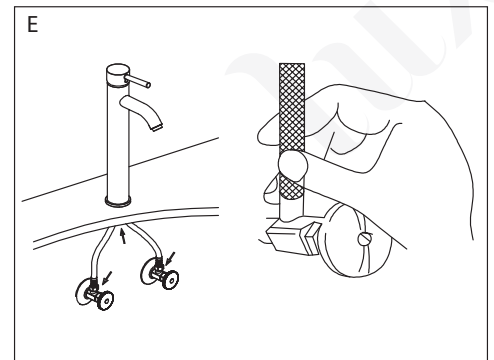
C. From under the sink, install the black rubber washer (13), metal washer (14) and nuts (16) onto the mounting bolts (15.) Tighten the nuts to secure the faucet to the counter top.



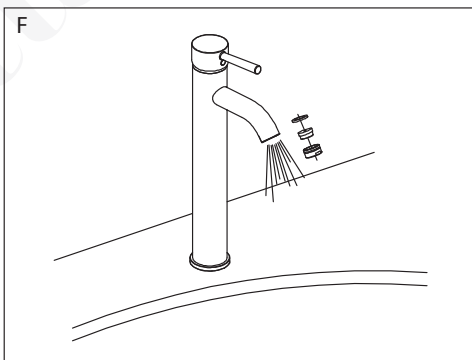
D1. Apply Teflon (TPFE) tape on the shut off valves. Thread the tape in counter-clockwise direction.



D2. Use a wrench to tighten the hoses, please do not overtighten the connections.



E. Turn on the water supply to check for leaks at all connections.



F. Remove aerator from the spout and let the water run for about 1 minute and check for leaks. Attach the aerator.

